

P3X Spot Light (Clamp)

90W LED/ 60°



- Cine-Grade Light Quality
- Point-Source LED
- DMX Controllable
- 90W Power Draw
- Compact (< 8" of Vertical Space)

ORDERING GUIDE

CXP3X - - - **CLP** - **PSV** -

Mode

CLR	All Modes
EZ	All EZ Modes
RGB	RGB Mode Only
CCT	Tunable CCT Mode Only
3200	Fixed 3200K
5600	Fixed 5600K

Finish

WH	White
BK	Black

Mount

CLP	Clamp Mount
------------	-------------

Power Supply & Control

PSV	Power Supply
------------	--------------

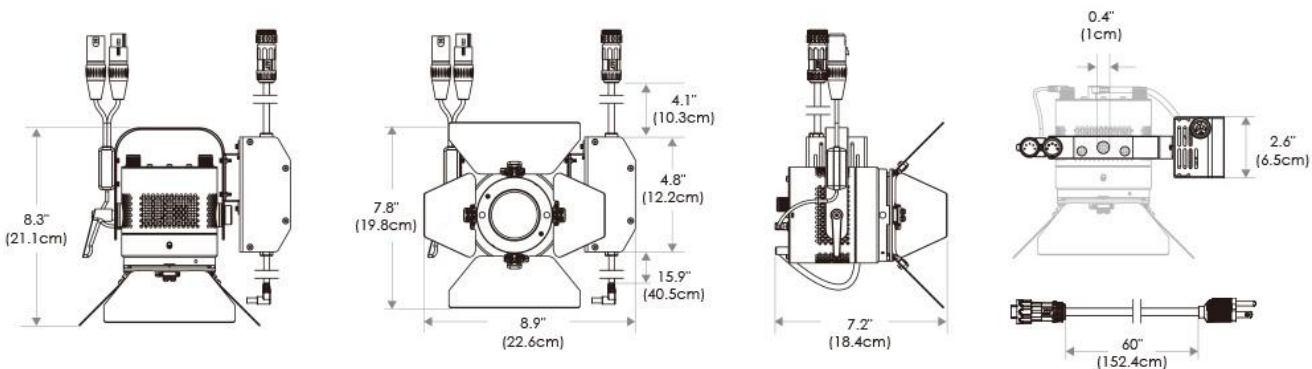
Plug/Connection

US	US 120V
EU	EU 220V

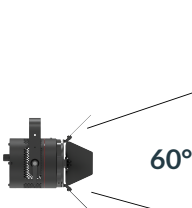
SPECIFICATIONS

Beam Angle	60°
CRI / TLCI	95/90 typical (in CCT Mode of 2800K-6500K)
Dimming	100% - 0% flicker free
AC Power Draw	90W max
AC Input	100 - 240V AC, 50 - 60Hz
Remote Control	DMX 512
Cooling	Fan Cooled
Acoustic Noise	19 dBA (Auto Mode)
Operating Temp.	32 - 104°F (0 - 40°C)
Weight (Fixture + Power Supply)	3.5lb / 1.6kg

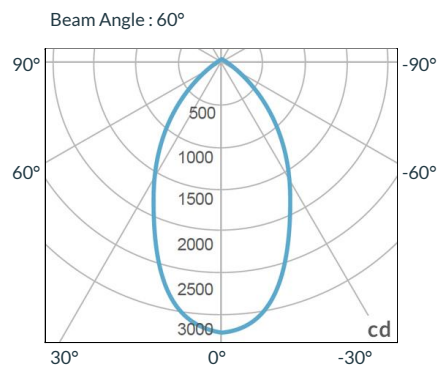
MECHANICAL FIGURES



PHOTOMETRIC DATA



Distance		3' (~0.9 m)	10' (~3.0 m)	15' (~4.6 m)
@3200K	fc	345	36	20
	lux	3714	388	216
@5600K	fc	356	37	21
	lux	3832	399	227
Beam Diameter		Ø 2.7' (~0.8m)	Ø 9.3' (~2.8m)	Ø 13.9' (~4.2m)



MODE DESCRIPTION

Mode Description	Available Modes
- CLR	All Modes (8 bit and 16 bit)
- EZ	All EZ Modes (8 bit) (EZ CCT / EZ HSI / EZ RGBW / EZ RGB / EZ ICTHS / EZ ICT RGBW / EZ 3200K / EZ 5600K)
- RGB	EZ RGB (8 bit)
- CCT	EZ CCT (8 bit)
- 3200	EZ 3200K (8 bit)
- 5600	EZ 5600K (8 bit)

See Downloads portion of webpage for full DMX profiles

ACCESSORIES

(specify finish by adding -BK or -WH)



6x8 Softbox
CLXP3-6x8SB



Fresnel Lens 20deg
CLXP3CLR-FRNL20



Fresnel Lens 20deg Snoot
CLXP3CLR-SNOOTF20



Honeycomb
TRA006N



Dome Diffuser
CLXP3CLR-DOME15